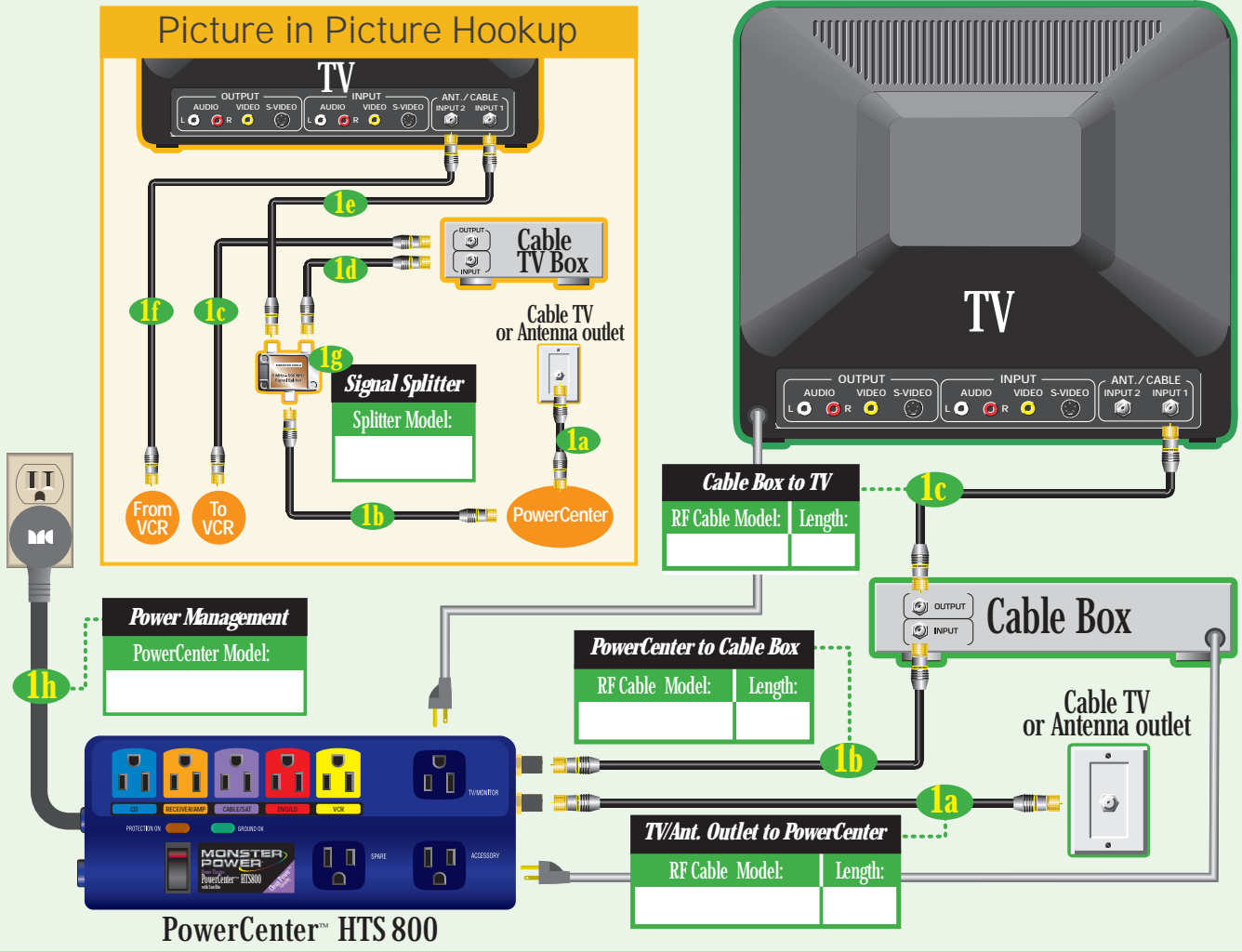


TV & Cable Hookup



TV & Cable Hookup

For connection of a cable box to a TV without Picture-in-Picture or a stereo receiver you will need the following cables and hardware:

- 1a. 1b. & 1c. Three RF cables with F-pin connectors, if you have a cable box. You'll need only 2 cables if you don't have a cable box.

NOTE: For better sound and picture quality, use composite (RCA) audio and video cables instead of RF cables to connect your cable box to your TV, if your cable box and TV both have RCA jacks.

- 1h. For the best possible picture and sound and maximum surge protection, all coax, phone and A/V components must be connected to a Monster® PowerCenter. PowerCenters feature exceptional surge protection, color-coded outlets, 24k gold contact connections and an extra-long, heavy-duty Monster power cord.

Does your TV have a Picture-in-Picture feature? If it does, you will need the additional cables and hardware:

- 1g. One two-way RF splitter to split the signal after the PowerCenter.
- 1d. 1e. & 1f. Three RF cables with F-pin connectors for a total of six RF cables.