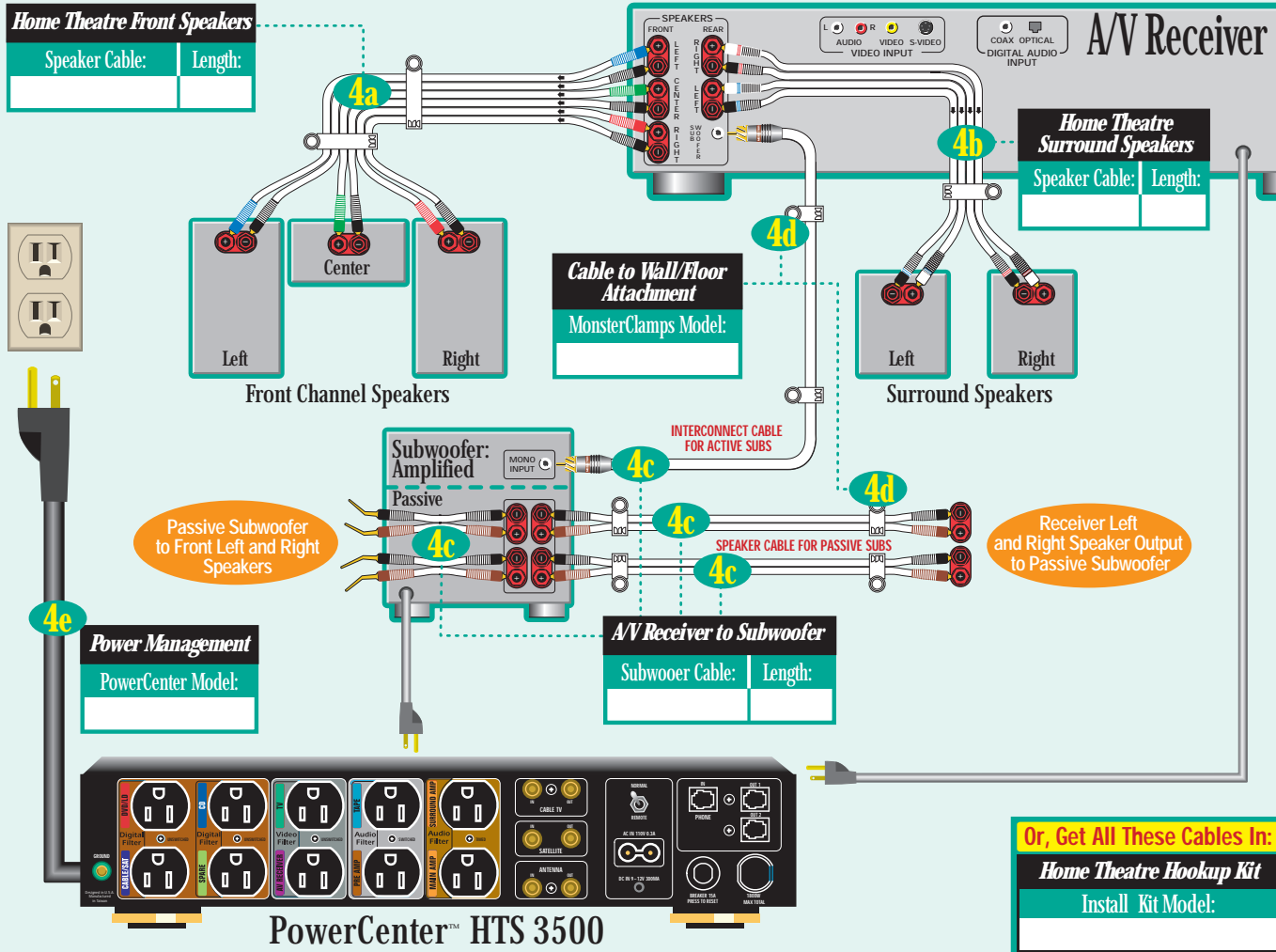


Home Theatre Speakers Hookup



Home Theatre Speakers Hookup

Would you like to hide the speaker cables that go around the room? Where would you like to locate your subwoofer? Would you like to know how to easily hook up all 22 to 32 speaker connections? It's really easy to connect your six speaker home theatre if your cables are color-coded. Here's what you'll need:

- 4a. Front channel speaker cables; left, center and right.
- 4b. Rear channel speaker cables; left rear and right rear.
- 4c. A subwoofer interconnect cable (for internally amplified subwoofers) or four subwoofer speaker cables (for passive subwoofers).
- 4d. For a neater, cleaner installation, you may want to add MonsterClamps™ and Monster CornerTrim™ to tack down cables to your baseboard and around corners.
- 4e. For the best possible picture and sound, and maximum surge protection all coax, phone and A/V components must be connected to a Monster® PowerCenter. PowerCenters feature exceptional surge protection, color-coded outlets, 24k gold contact connections and an extra-long, heavy-duty Monster power cord.